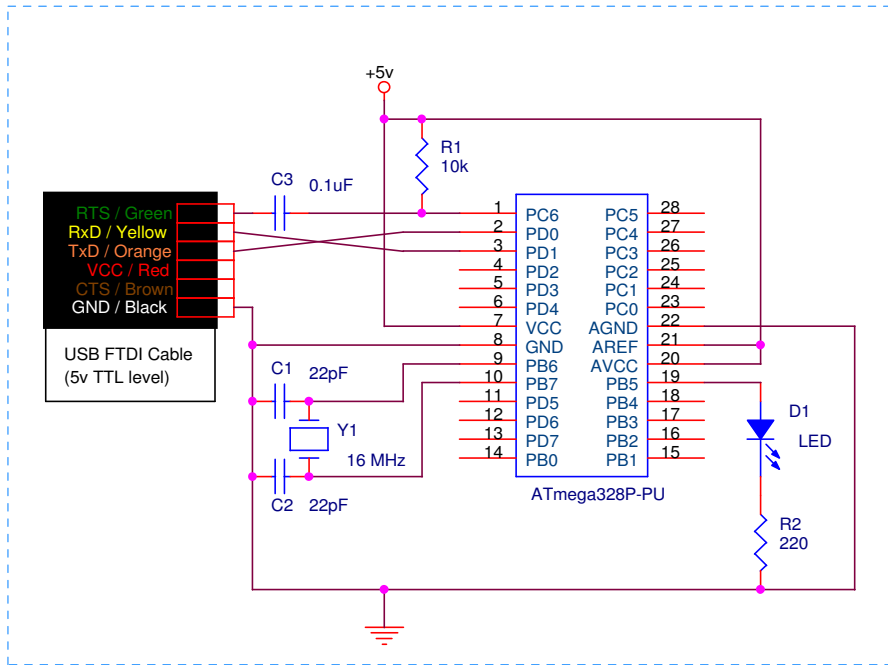
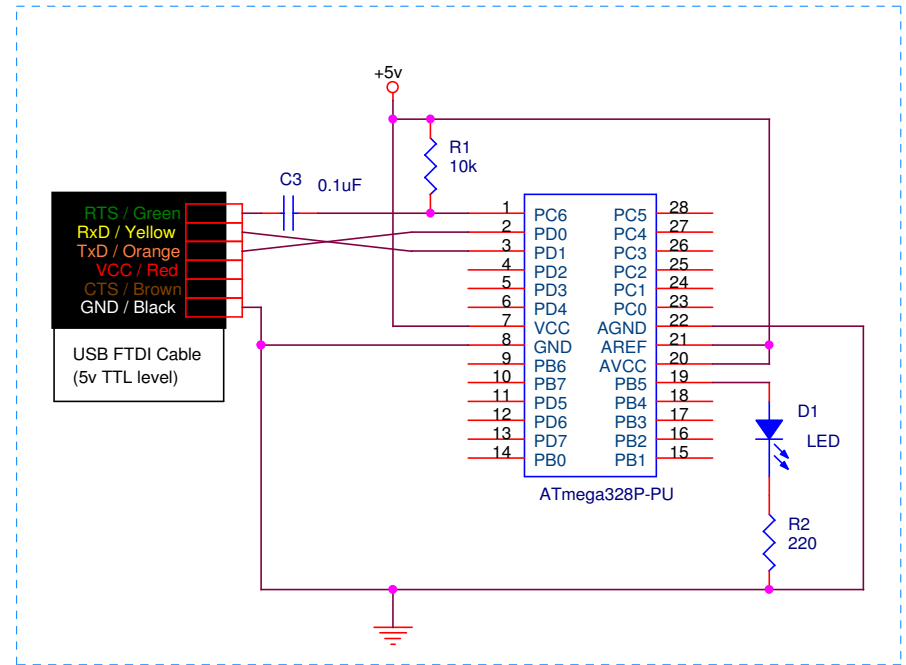


Arduino Board - Duemilanove or Uno (depends on bootloader)



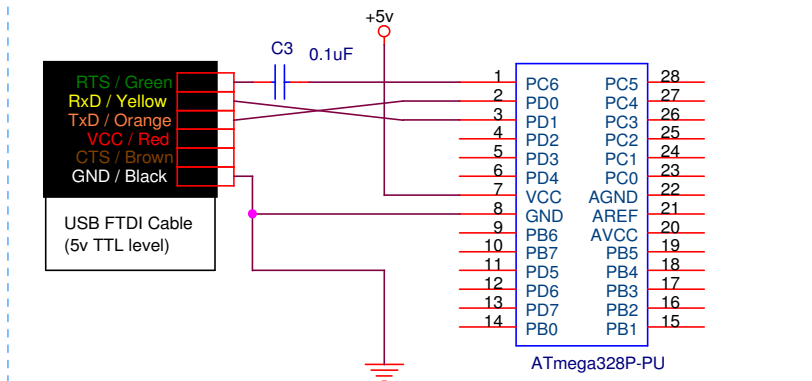
Arduino Board - ATmega328 on a breadboard (8 MHz internal clock)



Arduino Board - ATmega328 on a breadboard (8 MHz internal clock)

READ

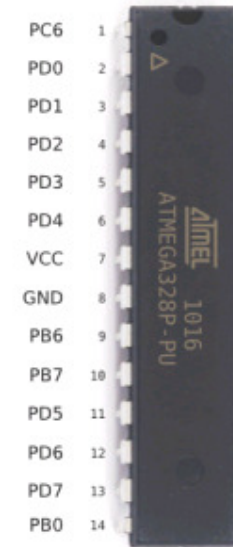
Minimalist (not using port C aka Analog pins) Recommend using pull-up resistor on reset line and hooking up power and ground to pins 20 and 22 respectively



ATmega328P pin mapping

Arduino function

- reset
- digital pin 0 **RX**
- digital pin 1 **TX**
- digital pin 2
- digital pin 3 **PWM**
- digital pin 4
- VCC
- GND
- crystal
- crystal
- digital pin 5 **PWM**
- digital pin 6 **PWM**
- digital pin 7
- digital pin 8



Arduino function

- analog input 5
- analog input 4
- analog input 3
- analog input 2
- analog input 1
- analog input 0
- GND
- GND
- analog reference
- AVCC
- digital pin 13
- digital pin 12
- digital pin 11
- digital pin 10
- digital pin 9

Title		
Arduino breadboarded		
Size	Document Number by: Jonathan Prévost	Rev 1
Date:	Friday, November 22, 2013	Sheet 1 of 1